

Combination Smoke and Heat Detector

U-313

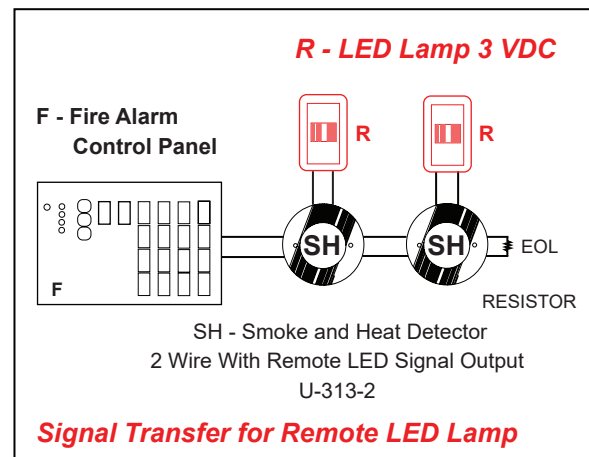


Operation Theory

This Product is a Combination Smoke and Heat Detector. Which Runs by Detecting Smoke Particles. Adopted Special Structure Design, and Photoelectric Signal Processing Technique, It Has The Functions of Dustproof, Mothproof, and Anti-Electromagnetic Interference, The Stability of the Product is Assured From the Above. It Performs Well in Detecting Visible Smoke Caused by Hidden or Bright Fire. It's Suitable for Detecting Smoke in Houses, Stores, Hotels, and Warehouses, etc.

Characteristics

- High Stability Smoke Chamber and NTC Heat Sensor
- Low Power Consumption MCU, High Reliability Intelligent Algorithm of Smoke and Heat
- High Adaptability to the Ambient, With Dustproof, Mothproof, Moisture Proof and High EMI Immunity
- Orientation Differences: $M_{max} : M_{min} < 1.6$
- Highlight Dual Color LED Indication
- Tamper Switch
- Unique Bracket Design, Easy Installation



Specifications

| | |
|------------------------------|--|
| Model / Product | U-313-2 / Combination Smoke and Heat Detector |
| Input Voltage | 9 - 28 VDC |
| Static Current | $50 \pm 5 \mu A$ (24 VDC) |
| Alarm Current | $55 \pm 5 mA$ (24 VDC) |
| Operating Temperature | $-10^{\circ}C \sim +55^{\circ}C$ |
| Operating Humidity | 10% - 95% RH (Non Coagulating) |
| Installation | Ceiling Mounted |
| Output / Wiring Mode | 3 VDC Remote Indicator Lamp / 2 Wire With Remote LED Signal Output |
| Alarm Temperature | Fixed Temperature: $57 \pm 6^{\circ}C$ / Rate-of-Rise: $8-15^{\circ}C / Min$ |
| Alarm Reset | Power Off Reset |
| LED Indication | Detecting: Green LED Flash / Alarm: Red LED ON |
| Material / Color | ABS Plastic / White Color |
| Dimension | $\varnothing 100 \times 45 mm.$ |

Effective Alert Area

| | |
|----------------------------|-------------------|
| Construction Height | 4 m |
| Fireproof Building | 60 m ² |