

# Photoelectric Smoke Detector U-413

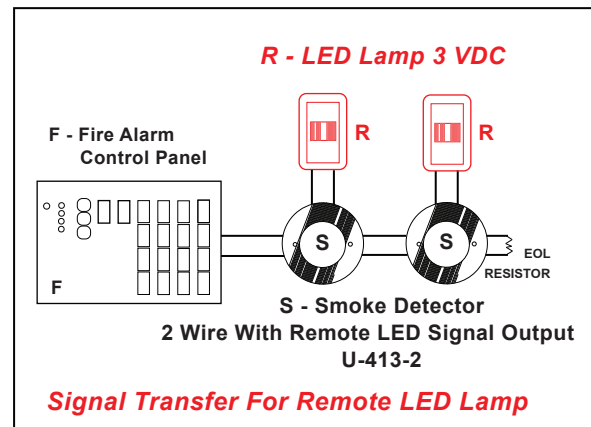


## Operation Theory

This product is a photoelectric smoke detector which runs by detecting smoke particles. Adopted special structure design, and photoelectric signal processing technique, it has the functions of dustproof, mothproof, and anti-electromagnetic interference, the stability of the product is assured from the above. It performs well in detecting visible smoke caused by hidden or bright fire. It's suitable for detecting smoke in houses, stores, hotels, and warehouses, etc.

## Characteristics

- Optical smoke chamber with high stability
- Network by current, N.O/N.C (optional)
- Adopted CMOS with low power consumption
- High adaptability to the ambient, with dustproof, moisture proof, anti-white light, and high EMI immunity function
- Orientation differences: Mmax: Mmin<1.6
- Highlight dual color LED indication
- Anti-tamper switch
- Unique bracket design, easy installation
- Current network output, 2 wire with remote LED signal output



## Specification

Model / Product	U-413-2 Wire / Photoelectric Smoke Detector
Input voltage	9-28 VDC
Static Current	30±5uA (at DC24V)
Alarm Current	70±5mA (at DC24V)
Operating Temperature	-10°C - +55°C
Operating Humidity	≤95%RH
Installation	Ceiling mounted
Output / Wiring Mode	3 VDC Remote indicator lamp / 2 wire with remote LED signal output
Alarm Reset	Power off reset / Auto reset
LED Indicator	Detecting: Green LEDs flash / Alarm: Red LEDs ON
Sensor Type	Infrared photoelectric cell
Sensitivity	m=0.15-0.3dB/m
Material / Color	ABS Plastic / White Color
Dimension	∅100 x 46 mm.

## Effective Alert Area

Construction Height	4 m
Fireproof Building	60 m <sup>2</sup>